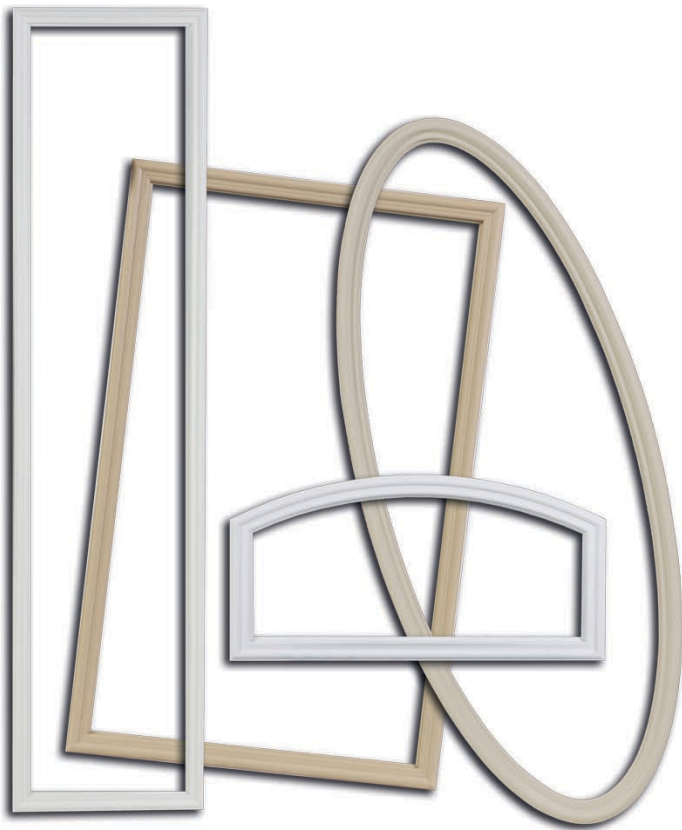


DOOR LITE FRAMES

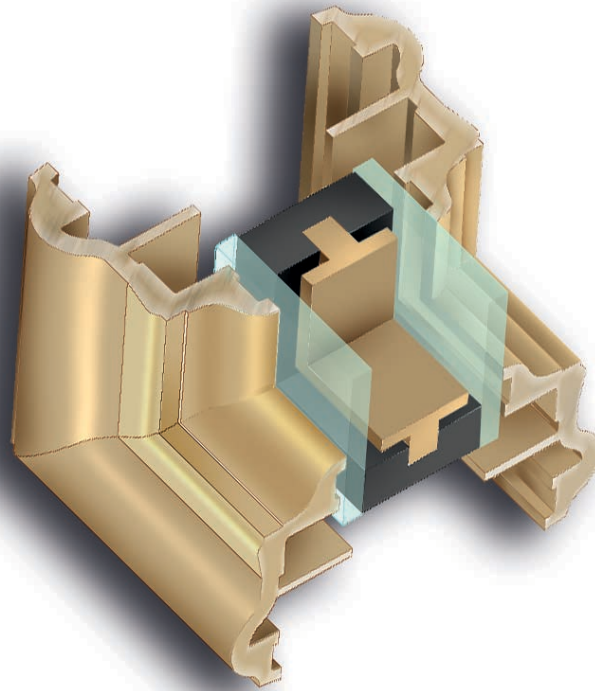


J-N Products
International Inc.

TABLE OF CONTENTS

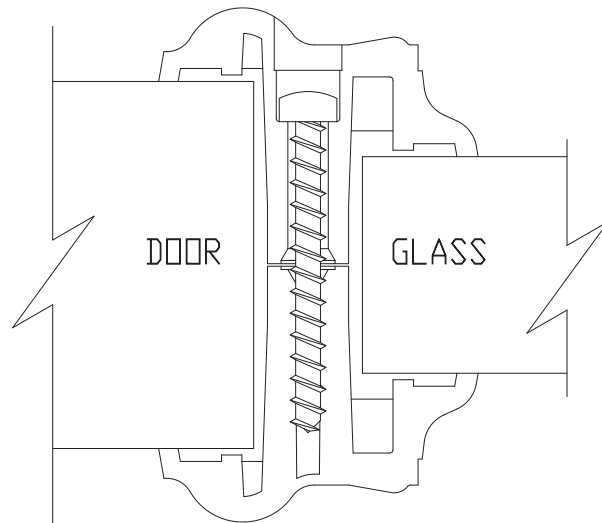
Introduction	1
Frame Profiles	2
Rectangle Frames	3 - 12
7 1/2" x 18 1/2" Rectangle	3
7" x 64" Rectangle	4
8" x 36" Rectangle	5
8" x 48" Rectangle	6
14" x 64" Rectangle	7
22" x 14 1/2" Rectangle	8
22" x 36" Rectangle	9
22" x 48" Rectangle	10
22" x 64" Rectangle	11
25" x 15" Craftsman	12
Round and Camber Top Frames	13 - 17
7" x 39" Curved	13
8" x 36" Round Top	14
22" x 10" Half Round	15
22" x 10" Camber Top	16
22" x 36" Round Top	17
Oval Frames	18 - 20
14" x 37" Oval	18
16" x 40" Oval	19
22" x 55" Oval	20

Engineered, Not Designed!

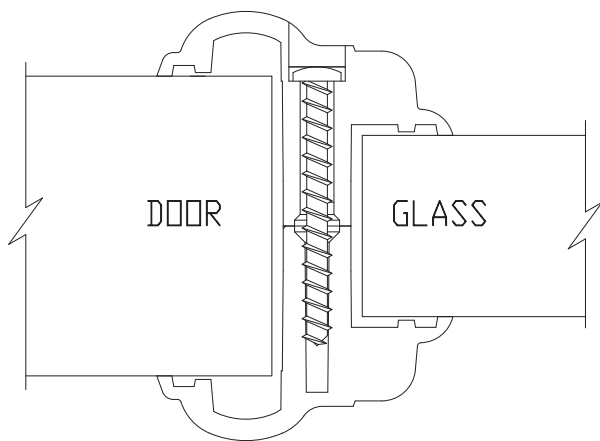


We invested years developing a consistently highly rated frame. The results confirmed, we engineer all our frames to uniform specifications, something simply unique to us. Our Door Lite Frames are industry standard sizes and thickness that will fit almost any door on the market. Our frames profile is the same for every frame matching doors to sidelights. Consistent placement of screw holes on every frame for the most secure fit. Screw boss ribs adds strength eliminating frame breakage. One screw type securely fastens the frames together. Screw hole plugs are self aligning and match door lite frames perfectly. Caulking grooves are engineered for maximum weatherproofing and cleanliness. Door lite frames will not break or crack when subjected to harsh weather. All frames are uniformly textured just like fine hardwood.

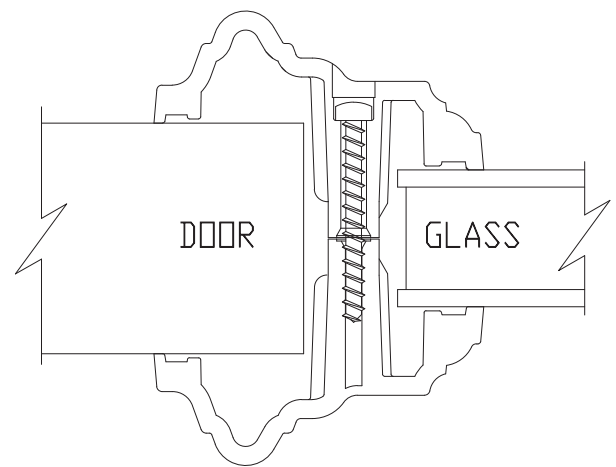
Frame Profiles



Standard Profile

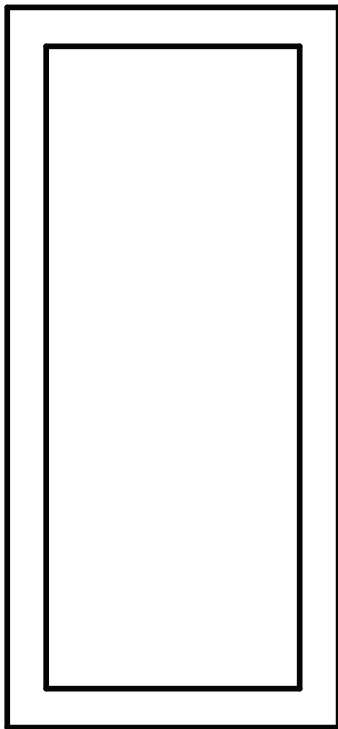


Oval Profile



Large Oval Profile

Frame Options



Number of Lites

1 Lite

Glass Thickness

1 Inch

1/2 Inch

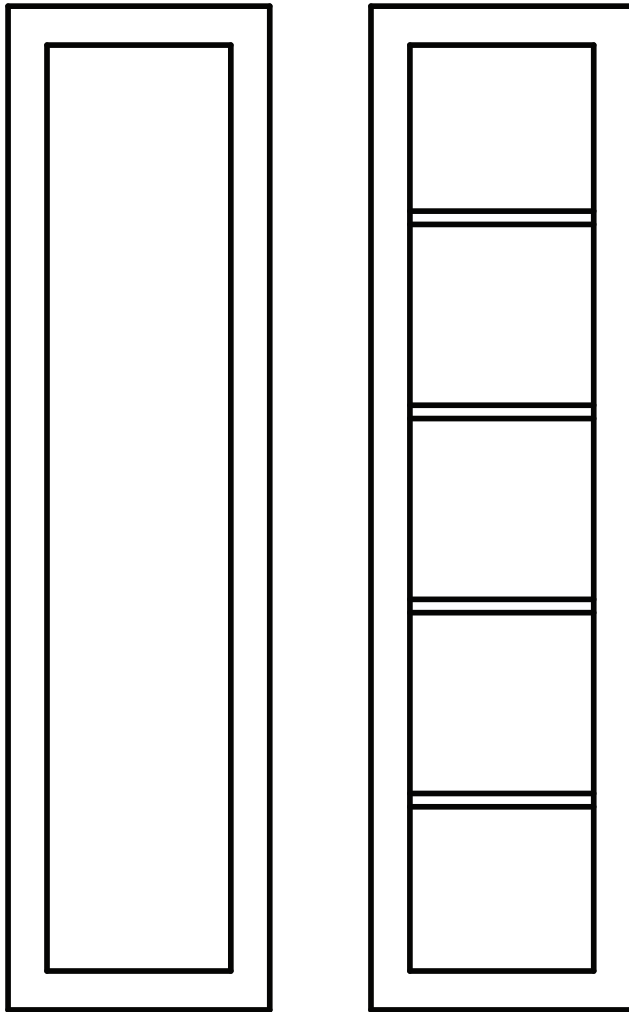
1/8 Inch

Door Thickness

1 3/4 Inches

1 1/2 Inches

**7 1/2" X 18 1/2"
Rectangle Frame**



Frame Options

Number of Lites

1 Lite

5 Lite

Glass Thickness

1 Inch

1/2 Inch

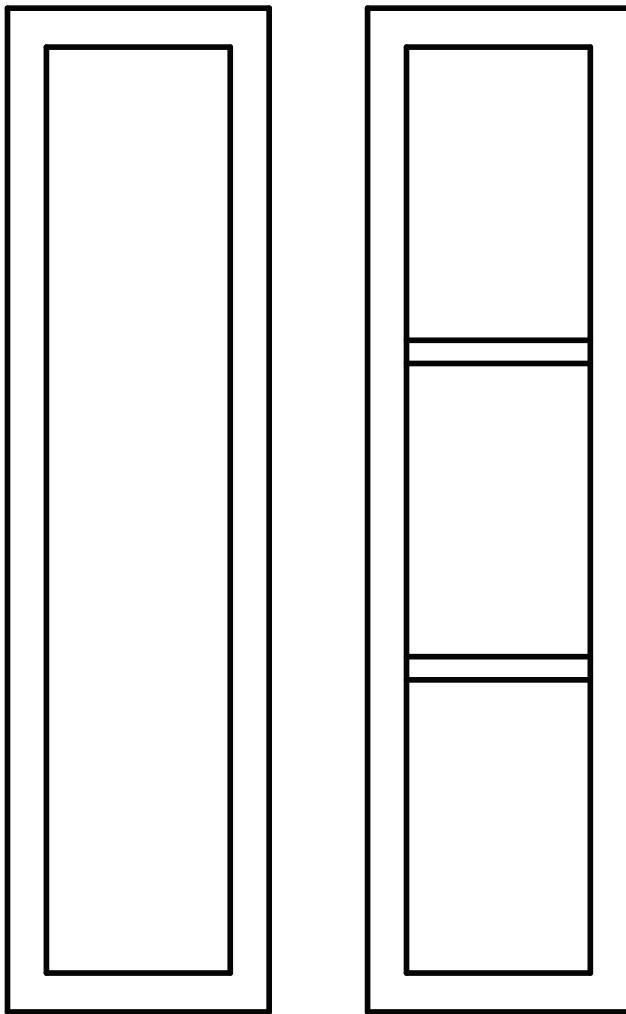
1/8 Inch

Door Thickness

1 3/4 Inches

1 1/2 Inches

7" X 64"
Rectangle Frame



Frame Options

Number of Lites

1 Lite

3 Lite

Glass Thickness

1 Inch

1/2 Inch

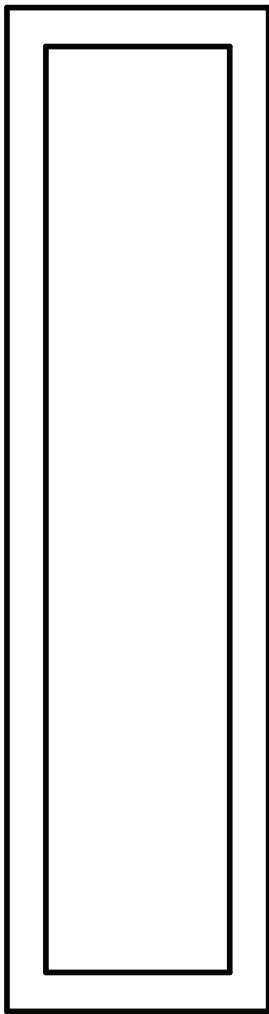
1/8 Inch

Door Thickness

1 3/4 Inches

1 1/2 Inches

8" X 36"
Rectangle Frame



Frame Options

Number of Lites

1 Lite

Glass Thickness

1 Inch

1/2 Inch

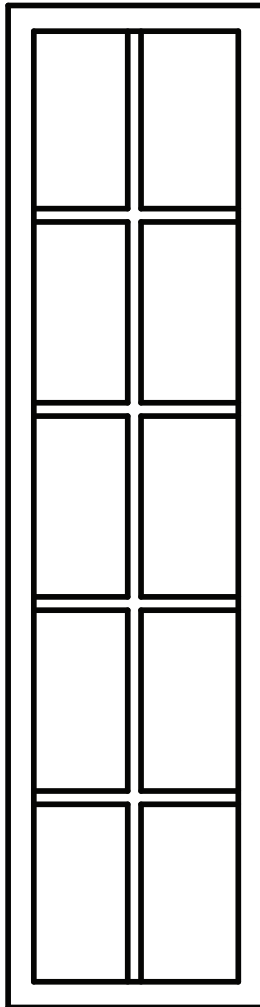
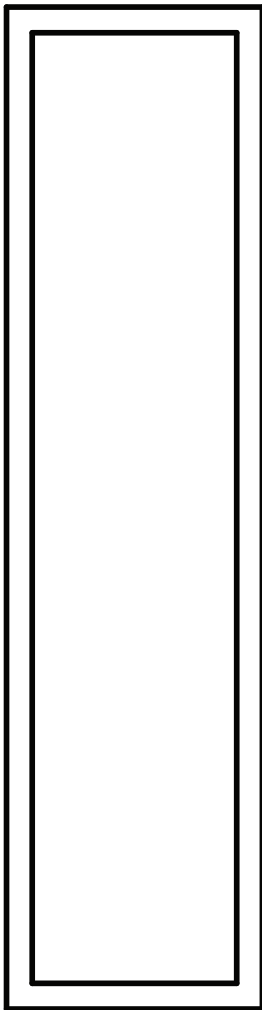
1/8 Inch

Door Thickness

1 3/4 Inches

1 1/2 Inches

8" X 48"
Retangle Frame



Frame Options

Number of Lites

1 Lite

10 Lite

Glass Thickness

1 Inch

1/2 Inch

1/8 Inch

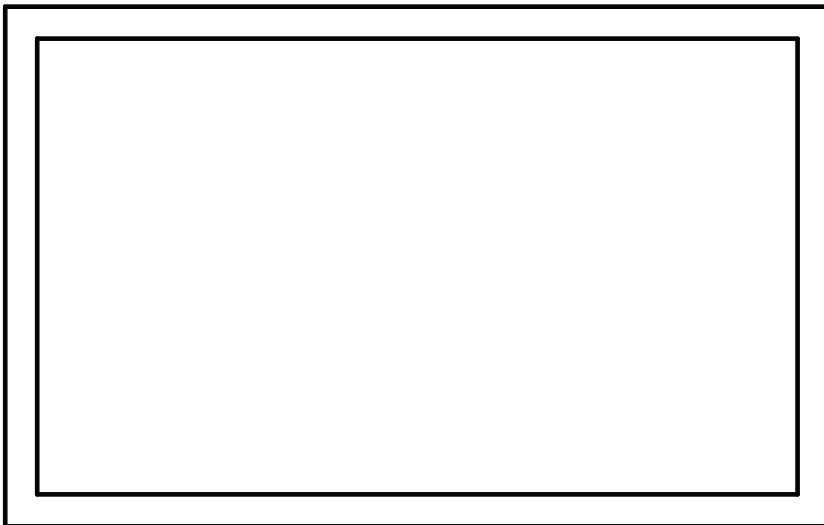
Door Thickness

1 3/4 Inches

1 1/2 Inches

14" X 64"
Rectangle Frame

Frame Options



Number of Lites

1 Lite

Glass Thickness

1 Inch

1/2 Inch

1/8 Inch

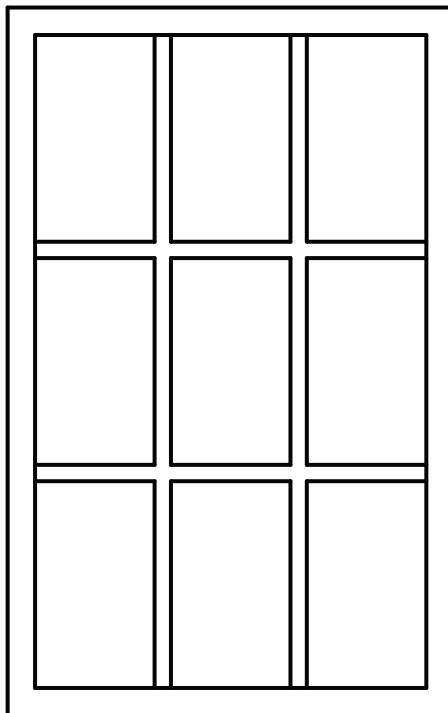
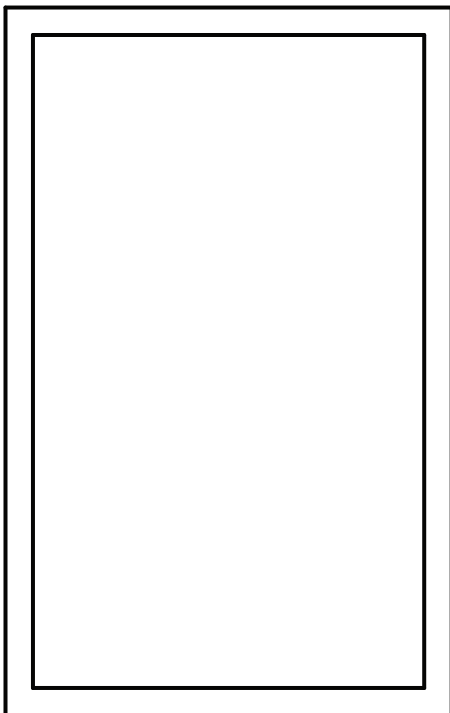
Door Thickness

1 3/4 Inches

1 1/2 Inches

22" X 14 1/2"
Rectangle Frame

Frame Options



Number of Lites

1 Lite

9 Lite

Glass Thickness

1 Inch

1/2 Inch

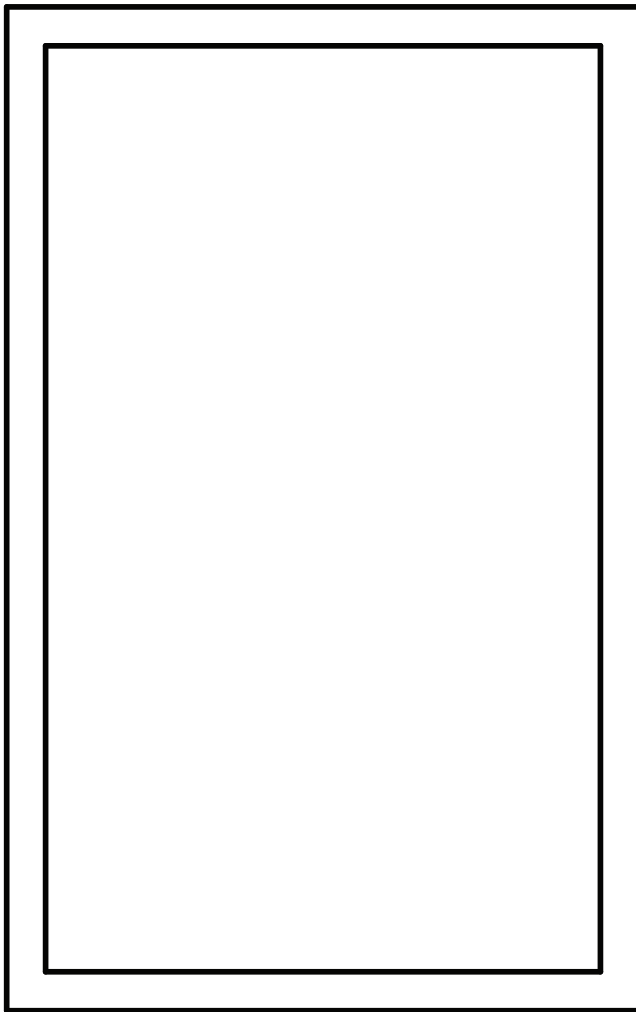
1/8 Inch

Door Thickness

1 3/4 Inches

1 1/2 Inches

22" X 36"
Rectangle Frame



Frame Options

Number of Lites

1 Lite

Glass Thickness

1 Inch

1/2 Inch

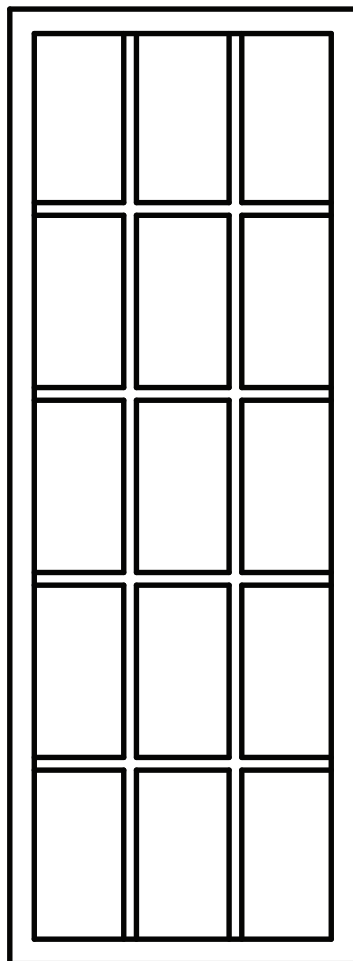
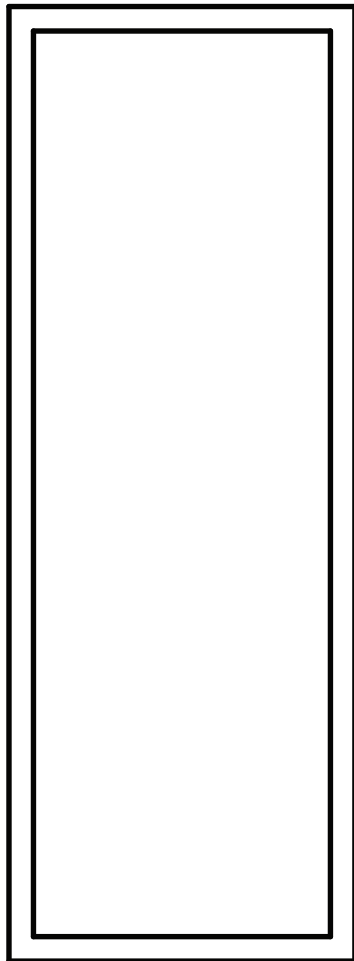
1/8 Inch

Door Thickness

1 3/4 Inches

1 1/2 Inches

22" X 48"
Rectangle Frame



Frame Options

Number of Lites

1 Lite

15 Lite

Glass Thickness

1 Inch

1/2 Inch

1/8 Inch

Door Thickness

1 3/4 Inches

1 1/2 Inches

22" X 64"
Rectangle Frame

Frame Options

Number of Lites

1 Lite

3 Lite

6 Lite

9 Lite

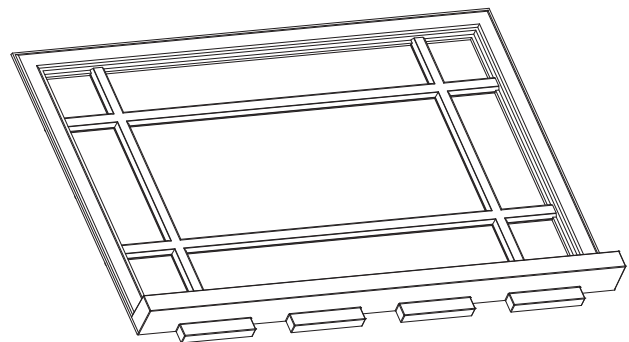
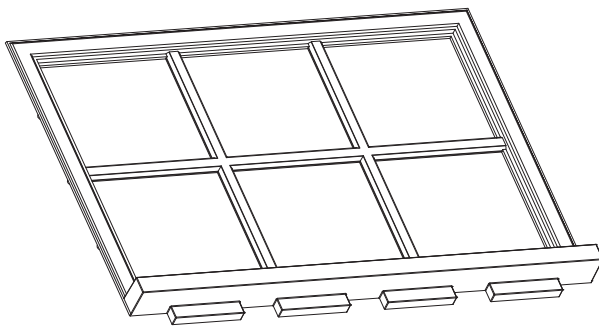
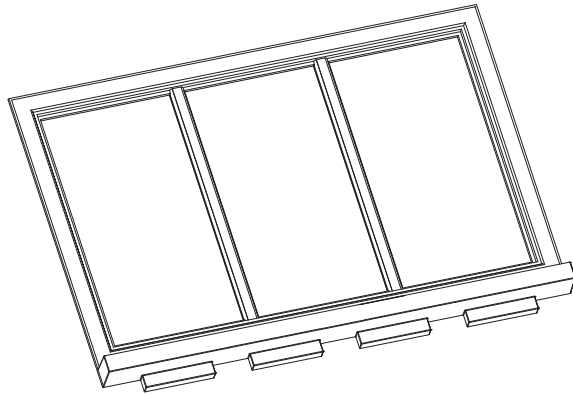
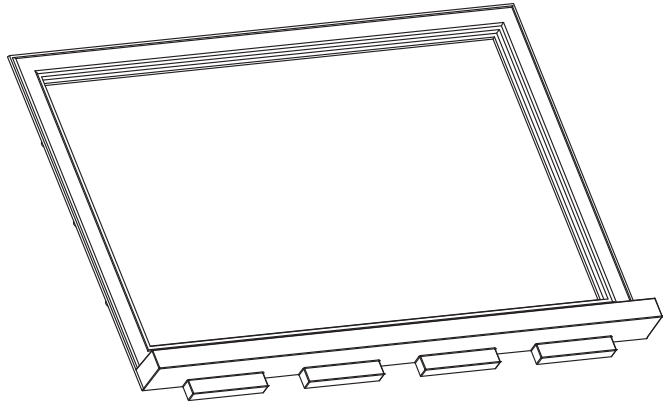
Glass Thickness

1 3/8 Inch

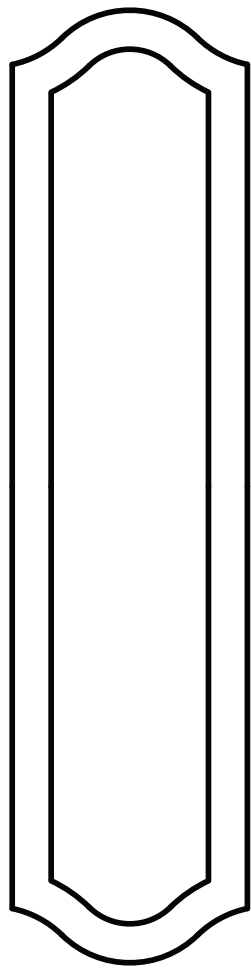
1 Inch

Door Thickness

1 3/4 Inches



25" X 15"
Craftsman Frame



Frame Options

Number of Lites

1 Lite

Glass Thickness

1 Inch

1/2 Inch

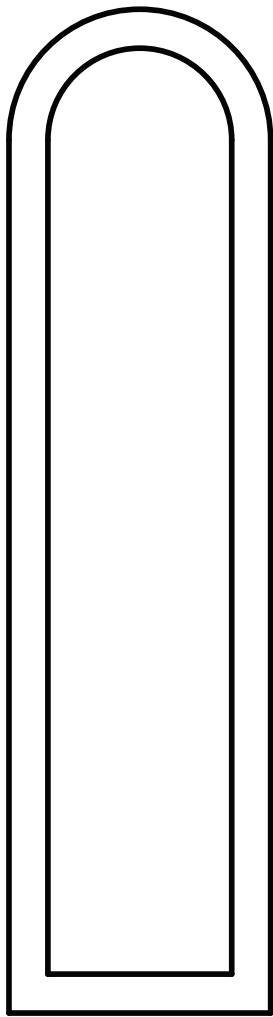
1/8 Inch

Door Thickness

1 3/4 Inches

1 1/2 Inches

7" X 39"
Curved Frame



Frame Options

Number of Lites

1 Lite

Glass Thickness

1 Inch

1/2 Inch

1/8 Inch

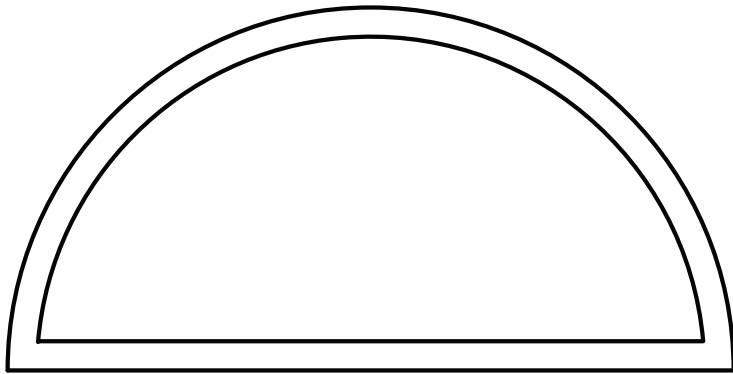
Door Thickness

1 3/4 Inches

1 1/2 Inches

8" X 36"
Round Top Frame

Frame Options



Number of Lites

1 Lite

5 Lite

Glass Thickness

1 Inch

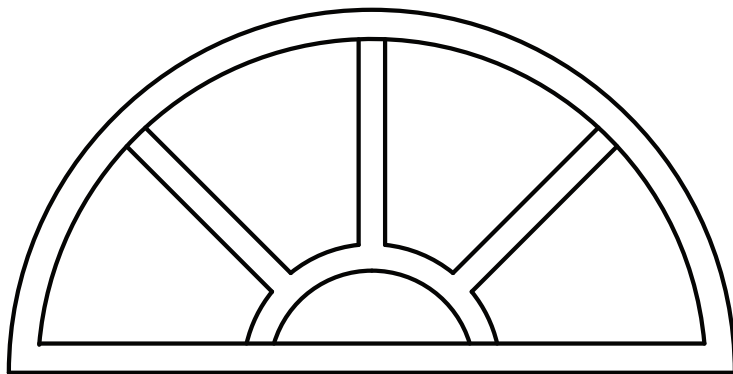
1/2 Inch

1/8 Inch

Door Thickness

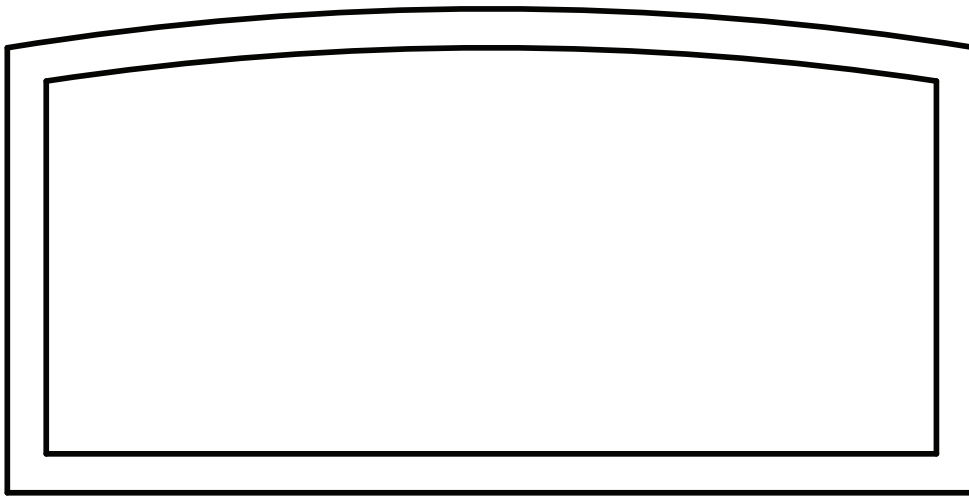
1 3/4 Inches

1 1/2 Inches



22" X 10"
Half Round Frame

Frame Options



Number of Lites

5 Lite

Glass Thickness

1 Inch

1/2 Inch

1/8 Inch

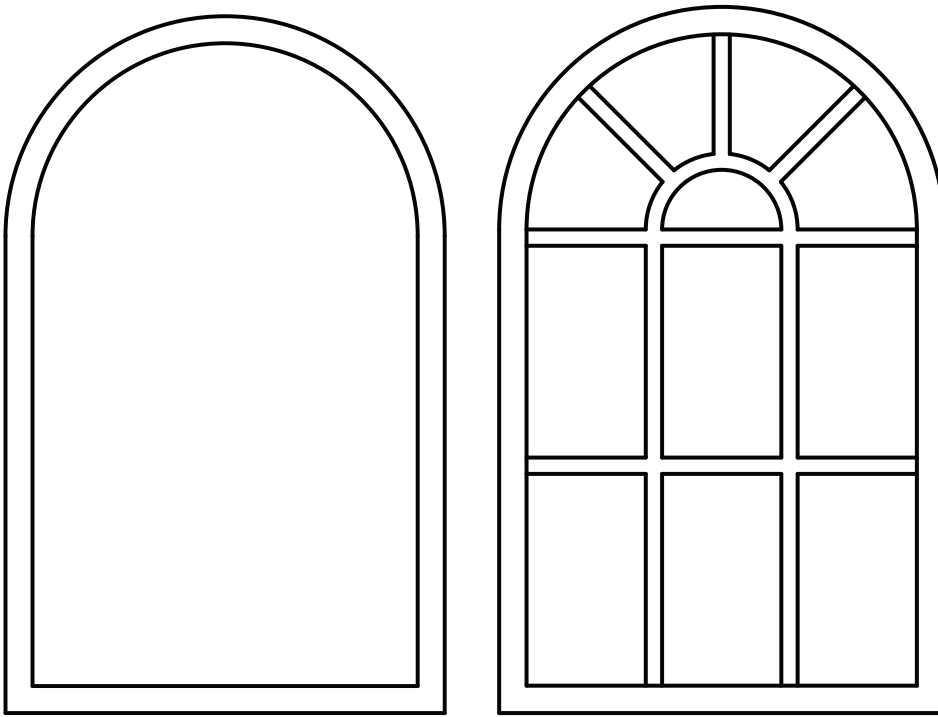
Door Thickness

1 3/4 Inches

1 1/2 Inches

22" X 10"
Camber Top Frame

Frame Options



Number of Lites

1 Lite

11 Lite

Glass Thickness

1 Inch

1/2 Inch

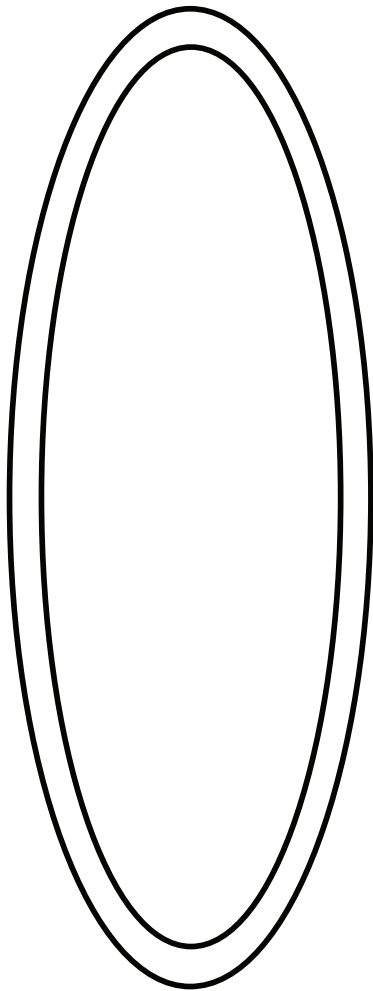
1/8 Inch

Door Thickness

1 3/4 Inches

1 1/2 Inches

22" X 36"
Round Top Frame



Frame Options

Number of Lites

1 Lite

Glass Thickness

1 Inch

1/2 Inch

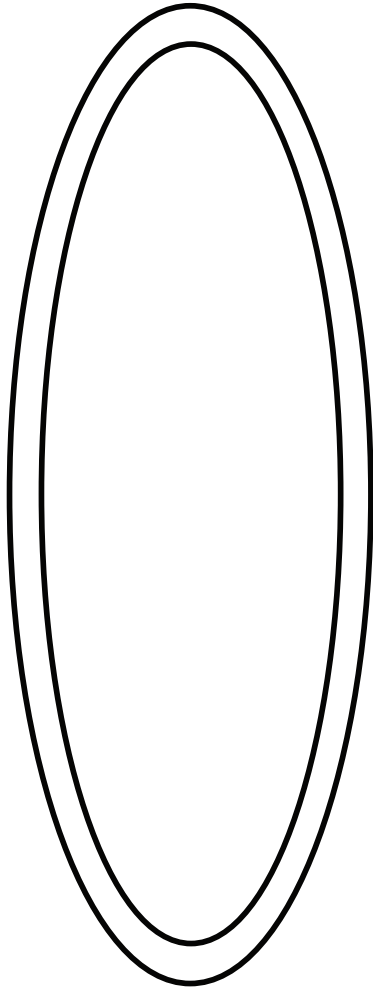
1/8 Inch

Door Thickness

1 3/4 Inches

1 1/2 Inches

14" X 37"
Oval Frame



Frame Options

Number of Lites

1 Lite

Glass Thickness

1 Inch

1/2 Inch

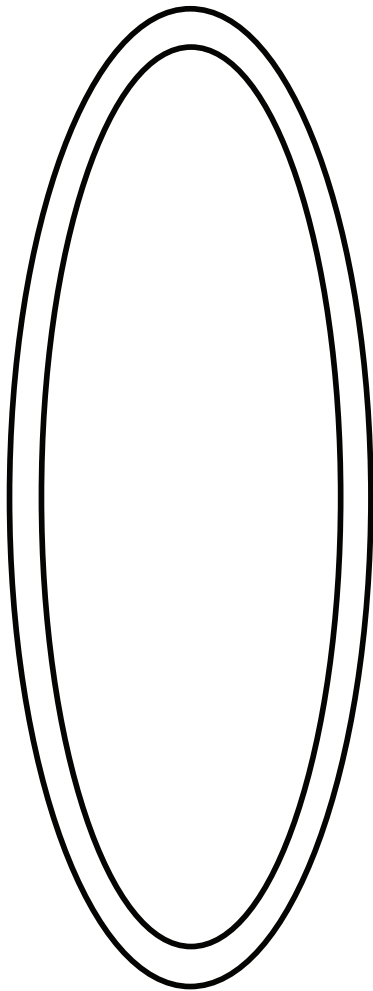
1/8 Inch

Door Thickness

1 3/4 Inches

1 1/2 Inches

**16" X 40"
Oval Frame**



Frame Options

Number of Lites

1 Lite

Glass Thickness

1 Inch

1/2 Inch

1/8 Inch

Door Thickness

1 3/4 Inches

1 1/2 Inches

22" X 55"
Oval Frame



J-N Products

International Inc.